



# POWERSPORTS



0 0 2 2 5

**225+ Locations Across North America**  
To find the location closest to you, please visit  
[www.continentalbattery.com](http://www.continentalbattery.com)

**Continental**  
BATTERIES

# THE SINGLE SOURCE SOLUTION



## Premium Heavy Duty HDX Powersports:

The Continental Battery Systems premium HDX Powersports line is unmatched in performance and value across the USA, Mexico, and Canada. The HDX line's cranking ability and reserve capacity dominate the competition in the heat of the far south to the sub-freezing temperatures of the arctic circle.

## The HDX AGM Difference:

Our AGM batteries are prefilled, pre-charged, and ready to roll. Our specialized lead plate, reinforced grids, microporous glass mat separator, and extreme compression cells provide up to 20% longer cranking ability, higher charging acceptance, lower voltage performance, and longer lifespans than other AGM powersports offerings.

## Extreme Vibration Resistance:

Our specialized AGM plates and separator were explicitly designed to meet the vibration resistance demands of extreme offroad trails, custom-built choppers, personal watercraft, and abuse from long-haul trailering.

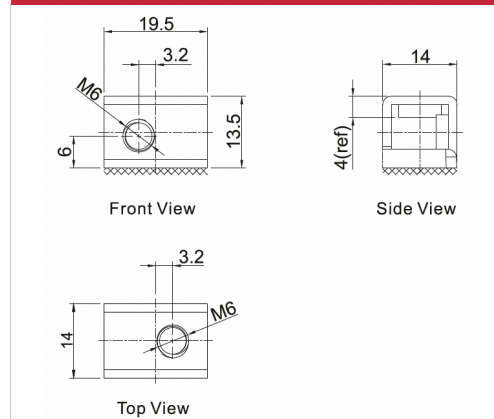
## Terminals:

No more fumbling around for nuts and bolts. Our HDX line features a hardened direct threaded alloy for maximum durability and quick installs.

## Benefits:

- Superior starting power, high capacity and long life
- Maintenance free AGM technology
- Leak-proof, double-sealed lid for tilt protection
- Built-in hardened alloy direct threaded terminals
- Max performance and efficiency
- Easy fit and installation
- Superior cold and warm temperature performance

## STANDARD TERMINAL (MM)



Continental Battery supplies you with the most types of powersport batteries to meet every need.

Visit [www.continentalbattery.com](http://www.continentalbattery.com) to see our entire line.

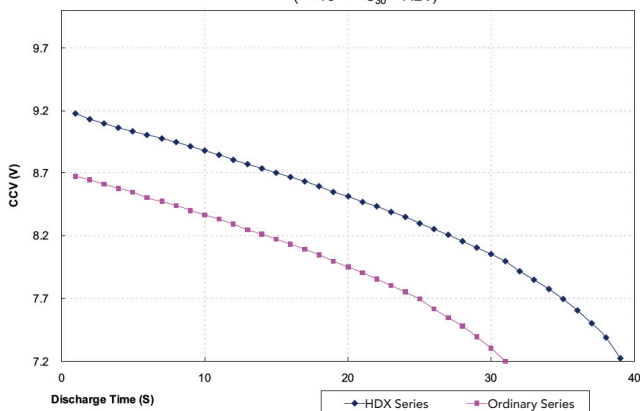
# SPECIFICATIONS



PART #	VOLTAGE	AMP HRS	CCA	LENGTH	WIDTH	HEIGHT	WEIGHT (LBS)	ASSEMBLY FIG.
HDX-9	12	8	120	5.88"	3.38"	4.12"	6.7	+       -
HDX-12	12	10	180	5.88"	3.38"	5.12"	8.8	+       -
HDX-14L	12	12	210	5.88"	3.38"	5.75"	10.0	-       +
HDX-14	12	12	210	5.88"	3.38"	5.75"	10.0	+       -
HDX-15L	12	13	240	5.25"	3.50"	6.50"	11.2	-       +
HDX-15	12	13	240	5.25"	4.00"	6.50"	11.2	+       -
HDX-16L	12	19	350	6.88"	4.00"	6.12"	15.7	-       +
HDX-16	12	19	350	6.88"	4.00"	6.12"	15.7	+       -
HDX-18L	12	20	340	8.12"	3.50"	6.38"	16.5	-       +
HDX-20L	12	18	310	6.88"	3.38"	6.00"	14.4	-       +
HDX-30L	12	30	400	6.62"	5.12"	6.88"	21.8	-       +

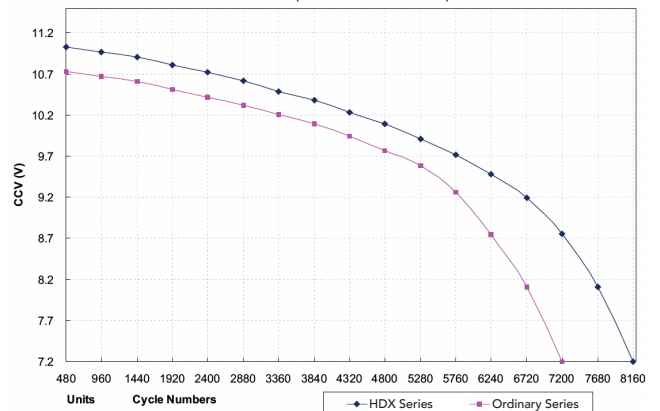
## DISCHARGE CHARACTERISTICS

CCA TEST  
( -18 U<sub>30</sub>M7.2V)



## LOAD TEST CHARACTERISTICS

LIFE TEST UNDER LIGHT LOAD  
( 40 Units M4000)



# LEADING THE CHARGE

**Continental**  
BATTERY SYSTEMS

**[www.gocbs.com](http://www.gocbs.com)**

The Continental Battery Systems warranty policy requires a receipt from the original purchaser. The date of this receipt establishes the beginning date of service used for the Continental Battery Systems warranty, which offers a one-year (12 months) free replacement and 30-day undamaged return policy for all POWERSPORTS-Continental branded batteries. We do not offer a lifetime warranty. If the Continental battery is replaced under the warranty policy, your replacement battery carries a warranty period from the original CONTINENTAL battery purchase date. For technical or warranty support, please call Continental Battery Systems customer service at 1-844-935-1186 or visit [www.gocbs.com](http://www.gocbs.com) to find our closest location.